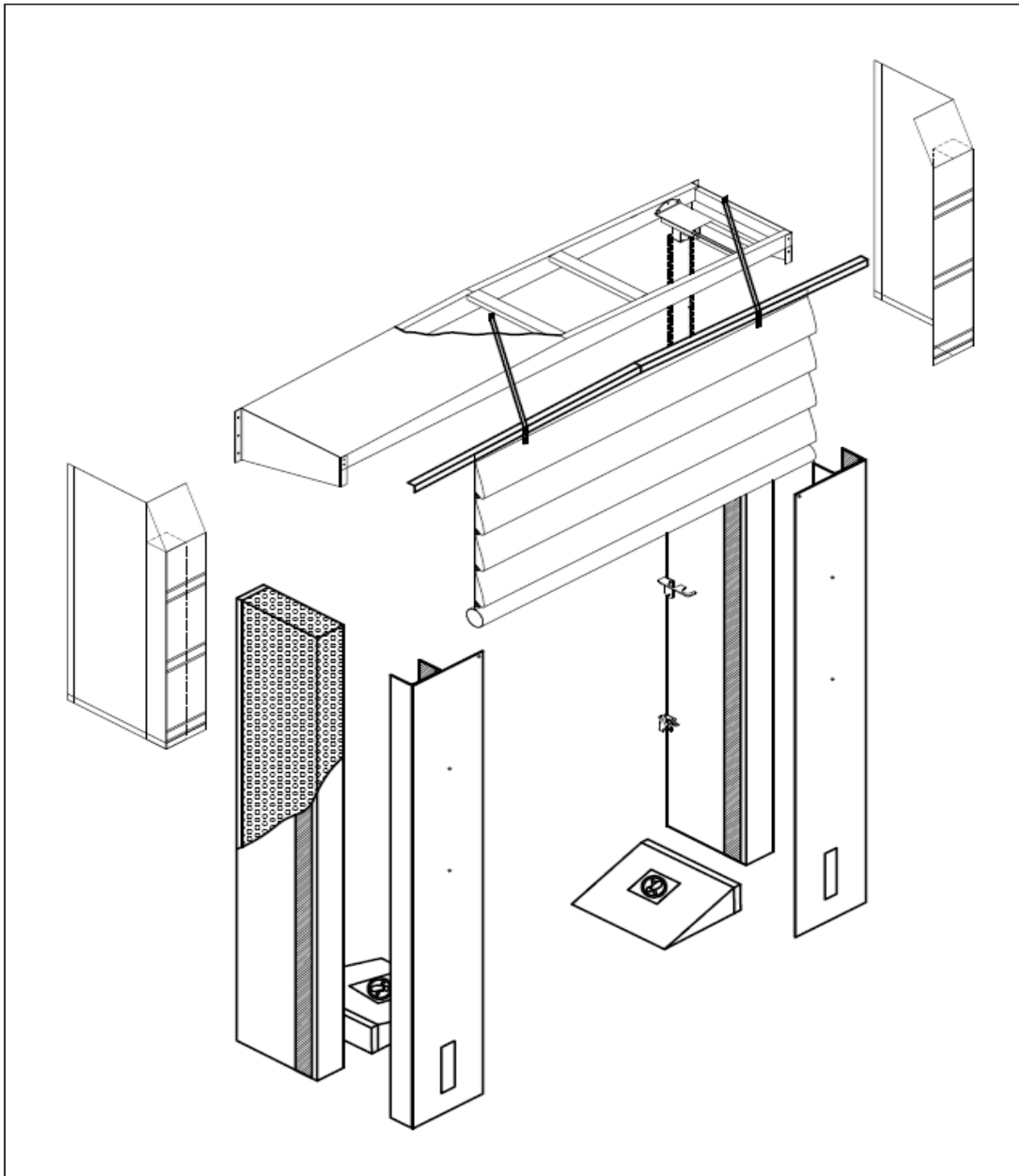


DOCK WEDGE – COMBO 4

READ ALL INSTRUCTIONS BEFORE INSTALLING SEAL. SUPER SEAL MFG. LTD. WILL NOT BE HELD RESPONSIBLE FOR IMPROPER INSTALLATION OF ANCHORING DEVICES, OR FOR INSTALLATION INTO AGED OR UNSOUND CONCRETE, CONCRETE BLOCK, OR OTHER WALL OR FLOOR MATERIAL WHICH MAY RESULT IN PREMATURE PRODUCT WEAR, PRODUCT FAILURE, PROPERTY DAMAGE, OR PERSONAL INJURY.



Components Lists:

Header:

No.	Description	Qty.
1	Header Canopy	1
2	Header Side Curtain	2
3	Angle Trim	1
4	Head Curtain	1
5	Bungee Cable	2
6a	Canopy Support Straps	2

OR Header Option		
6b	Side Support Arms (If Applicable)	2

Verticals:

	Description	Qty.
1	Vertical Pads C/W Foam Core & Wood Backing	2
2	Removable Inward Panel	2
3	Angle Mounting Brackets	12
4	Phantom Draft Pads	2

Vertical Option		
7a/b	Projection Boxes	2
7a/7b	Angle Mounting Brackets	12
7a/7b	#14 x 1-1/2" Flat Quad Screws	24

If Canopy Support Straps are used:

Fig No.	Description	Qty.
6a	3/8"x1-7/8" Sleeve Anchor	2
6a	#14x1-1/2" Flat Quad Screws	4
6a	3/8" B.S. Washer	4

If Side Support Arms are used:

Fig No.	Description	Qty.
6b	5/16" (18) x 1-3/4" Hex Bolt	4
6b	3/8" B.S. Washer	4
6b	5/16" (18) Hex Nut	4
6b	5/16" Lock Washer	4
6b	3/8"x1-7/8" Sleeve Anchor	4

Hardware Supplied List:

ITEM	Description	Qty.
1	3/8"x1-7/8" Sleeve Anchor	18
2	3/8"x3" Sleeve Anchors	4
3	#14 x 1-1/2" Flat Quad Screws	32
4	3/8" B.S. Washer	8
5	1/4"x3/4" Hex Head Tek Screw-Zinc	10
6	1/4" B.S. Washer	10
7	1-1/2" Roofing Nails	6
8	Installation Instructions	1
9	Chain Bracket	1

Recommended Tools List (Typical Masonry Wall)

No.	Description	Qty.
1	Tape Measure	1
2	Level	1
3	Pencil or Marker	1
4	Square	1
5	Power Drill	1
6	Caulking-Outdoor Acrylic Tape	1
7	1/2" Socket Wrench	1

No.	Description	Qty.
8	Hammer Drill	1
9	Hammer	1
10	Robertson or Philips Driver #3	1
11	3/8" Masonry Drill Bit	1
12	Caulking Gun	1
13	Utility Knife	1
12	5/16" Hex Nut Driver	1

1. CHECK ORDER

NOTE: Having the Shop Approval Drawing Will Help Determine Mounting Location and Unit Size

- a. **Measure door opening width.**
 - i. Seal door opening varies according to dimensions of existing door.
 - ii. Make sure dimensions match Purchase Order.
 - iii. Make sure there is enough space to install. Check for existing:
 - dock seals
 - bollard and obstacles
 - lights and conduit
 - drains
- b. Check **Components List** and **Hardware Supplied List** to make sure all listed are present (Page 2).
- c. Check **Recommended Tools List** and make sure all are available (Page 2).
- d. Determine method of mounting shelter to wall.

NOTE: Super-Seal supplies standard mounting hardware with the shelter. The customer must supply any other mounting hardware.

Recommended methods for:

- A. **Concrete block, pre-cast concrete, or brick wall:** Use 3/8" sleeve anchors (supplied by Super Seal).
- B. **Metal siding:** Use through-bolt fastening (supplied by others). Another alternative is to use wood lags with back plate from inside the building to back of seal.

NOTE: Super-Seal is not responsible for installation and any damage or injury caused by installation or the product. Safe and proper work procedures should be followed.

2. MARK CENTERLINE

- a. **Finding the center.**
 - i. Locate centerline of door opening and mark on dock floor.
 - ii. Mark centerline on lintel above door (**Fig. 1**).
 - iii. Measure head frame width and mark.
 - iv. Extend line 190" above finished grade.

NOTE: DO NOT PUNCTURE OR SCRATCH SIDING. Use A Marker to Mark Center of Head Frame.

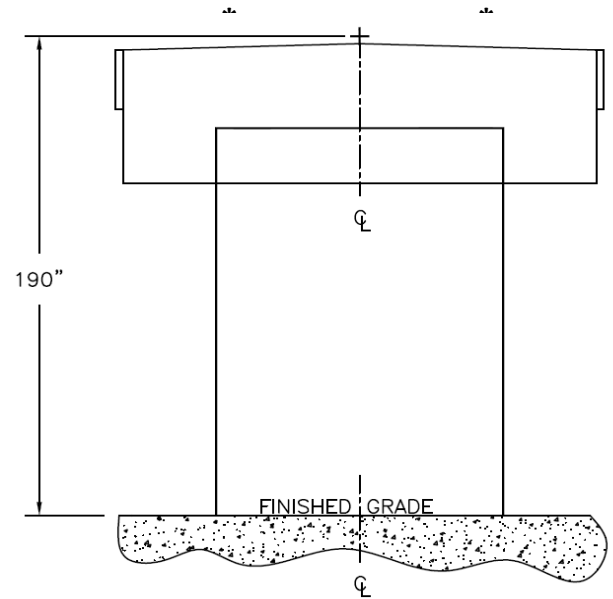


FIG. 1

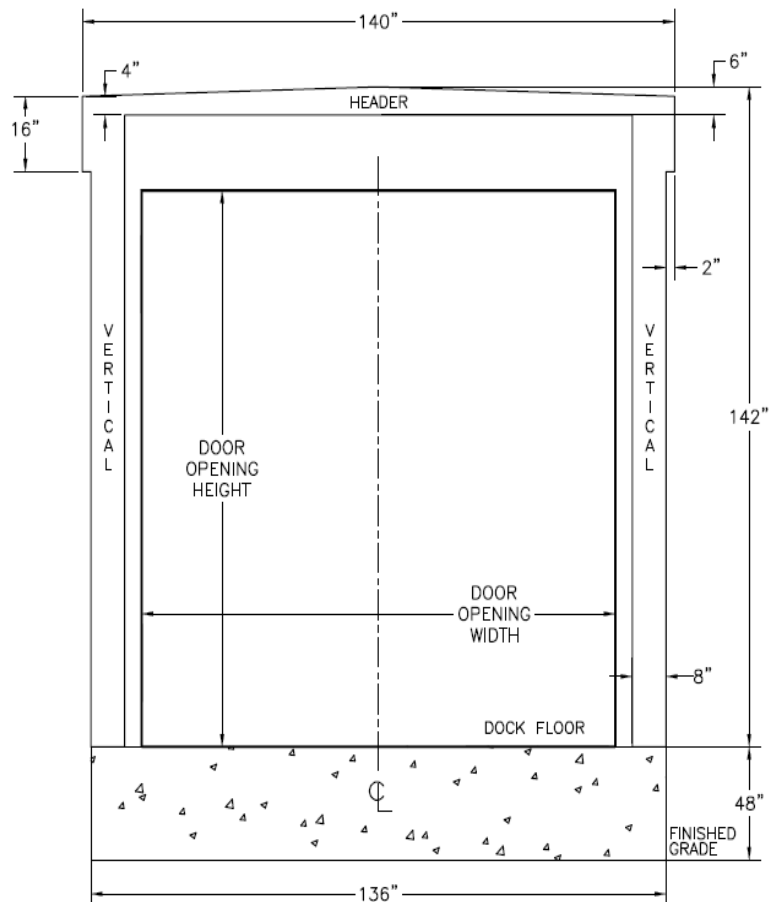


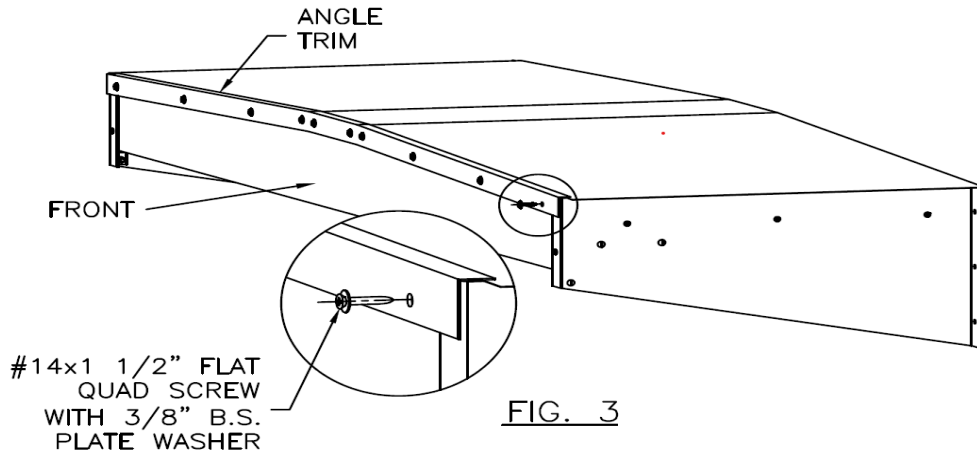
FIG. 2

DOCK WEDGE
TYPICAL SPACE REQUIRED OUTLINE

3. MOUNTING HEAD FRAME

a. Prepare frame (Fig. 3).

Determine front and back on head frame.



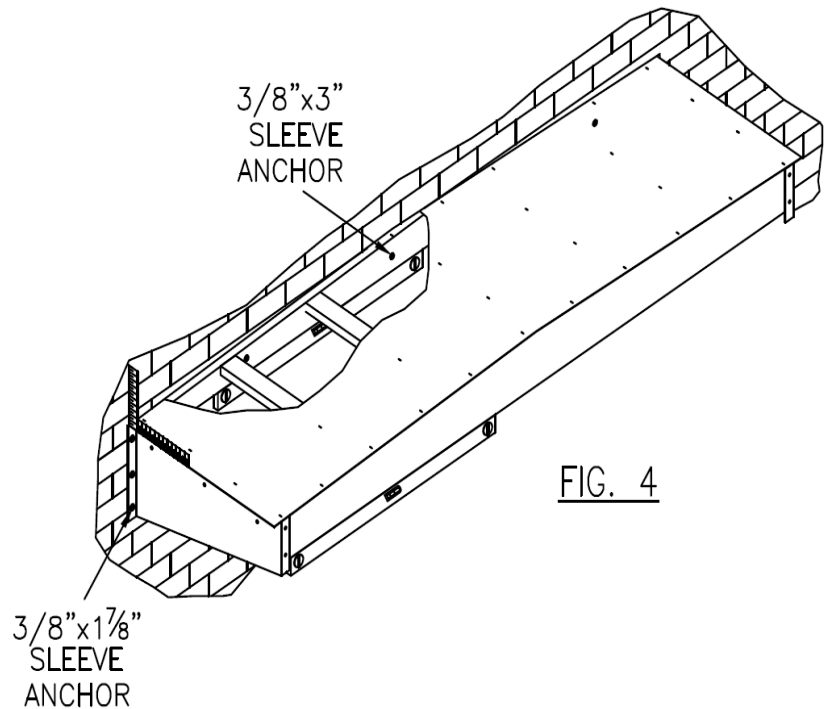
NOTE: The Front Has an Angle Trim.

b. Remove angle from front edge (Use #3 Roberts or #3 Philips drive bit.)

c. Lift head frame above opening.

NOTE: USE SAFE AND APPROPRIATE LIFTING METHODS.

- i. Place head frame on Marked Center Line on wall (**Fig.4**).
- ii. Position head frame flush to wall.
- iii. Drill hole through head frame backboards using a 3/8" drill bit. (**TYP. 4 places**)
- iv. Insert 3" long Sleeve Anchors through back of head frame back board.
- v. Insert 1-7/8" long Sleeve Anchors or other mounting hardware into holes on the Side Canopy Supports.
- vi. Tighten and secure.
- vii. Repeat for left and right Side Canopy Supports.



NOTE: This Shelter Must Be Plumb, Level, And Square in Order to Function Properly.

4. MOUNTING BRACKETS TO VERTICAL PADS

- i. Fasten galvanized steel ANGLE brackets, using No. 14 wood screws, to outside perimeter of each vertical pad as in Fig.5

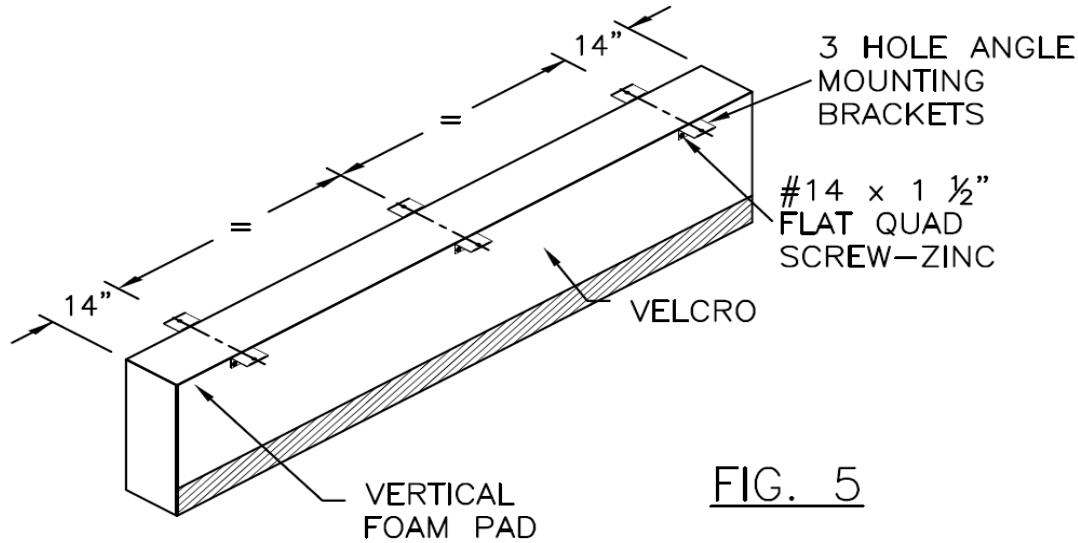


FIG. 5

NOTE: Final Location of The Bracket To Be Determined By The Installer To Suit Spacing Of The Mortar Joints Or Other Wall Configurations.

5. VERTICAL INSTALLATION – POSITION VERTICAL PADS

- i. The outside dimension of the vertical pads is determined by measuring the overall header width (includes FLANGES) minus four inches (4").
- ii. Typical Vertical mounting is 48" High above Finished Grade

NOTE: Assume Height From Finished Grade To Dock Is 48" High

- iii. The bottom of the wood backing of the vertical pads should be even with the dock floor or at the top of "above dock bumpers" on low docks.
- iv. Vertical pads must be plumb from top to bottom.

NOTE: Location Of The Vertical Pads Should Be Checked And Confirmed With Customer Or Sales Agent In Order To Ensure Proper Location.

(SEE SHOP APPROVAL DRAWING)

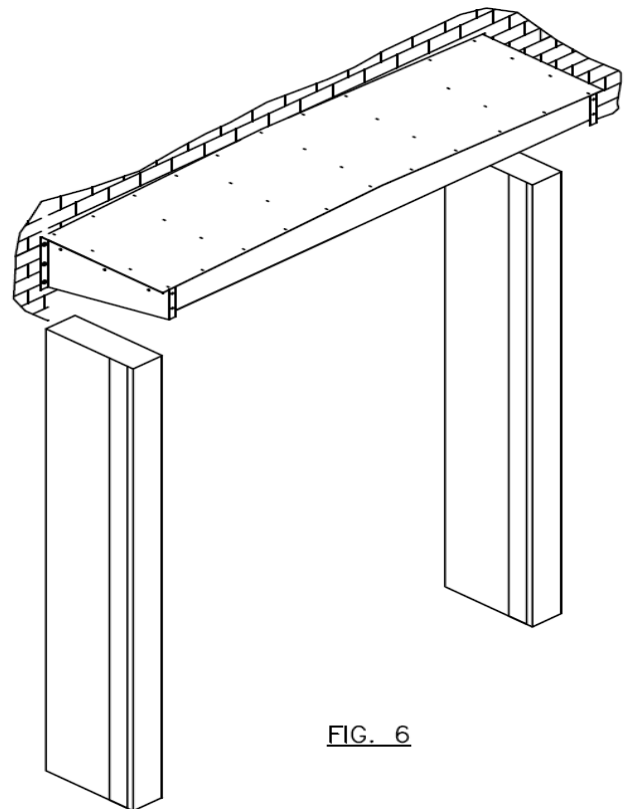


FIG. 6

6. FINISHING INSTALLATION OF VERTICALS: MOUNT VERTICAL PADS TO WALL

- i. Once the vertical pad is in position, drill a 3/8" hole into the mounting location and then drive a 3/8" sleeve anchor bolt (**Fig. 7**) through each of the upper and lower brackets (**use holes provided**).
- ii. Once complete, repeat for remaining vertical pad.
- iii. Attach Removable Inward Panels along the Velcro running the length of the Vertical Foam Pad **FLUSH** from the bottom.

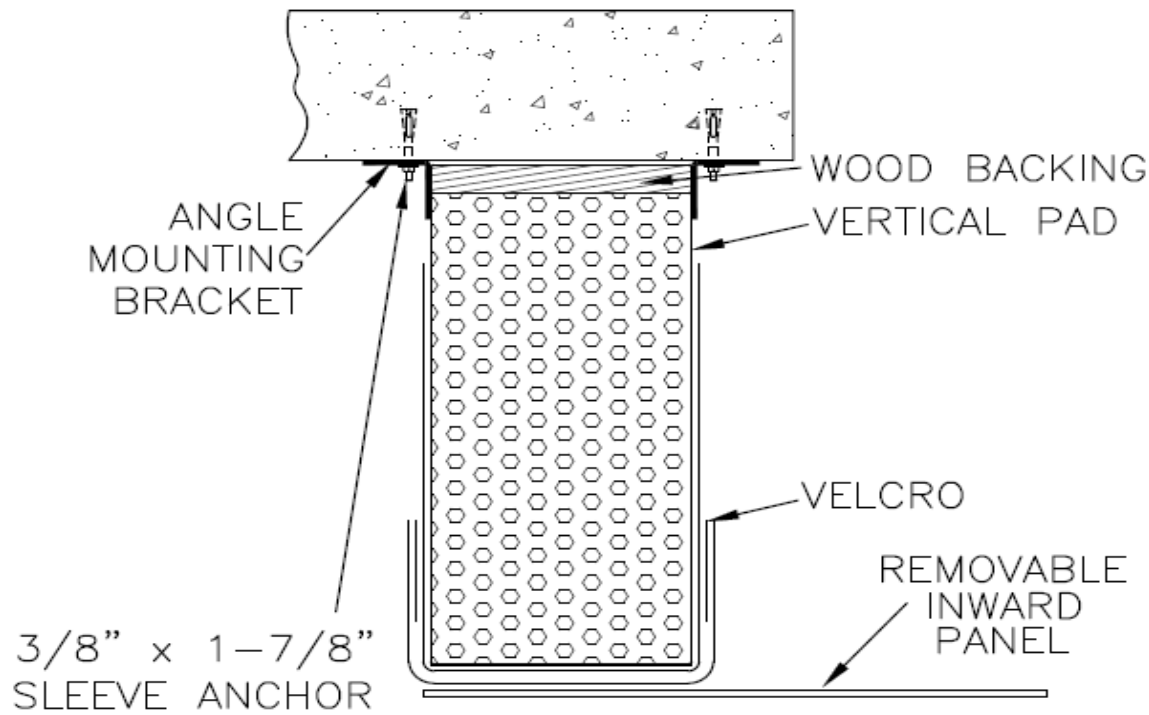


FIG. 7

NOTE: IF MOUNTING ON SIDING OR ON PRE-CAST CONCRETE, FILL IN GAPS WITH POLYURETHANE FOAM. (NOT SUPPLIED)

CAULK ALONG: (NOT SUPPLIED)

- i. Sides of vertical pads along wall.
- ii. Vertical mounting brackets.
- iii. Fill in any remaining gaps around unit as needed.

7. ATTACH HEAD CURTAIN TO HEAD FRAME

a. Position and secure header curtain. (Fig 8)

- i. Logo is on front of header curtain.
- ii. Match top center of header curtain with top of center head frame
- iii. Place raw edge flush to frame edge.
- iv. Secure with flat quad screws
- v. Spread rest of header curtain along head frame.
- vi. Keep flush with edge, ensuring a tight fit.
- vii. Pass the 1" vinyl belt through each D ring to eventually lock it at the last D ring. (Fig 9)

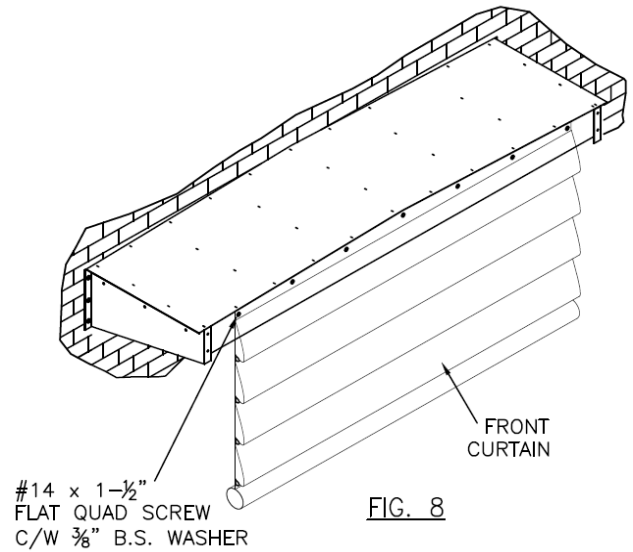


FIG. 8

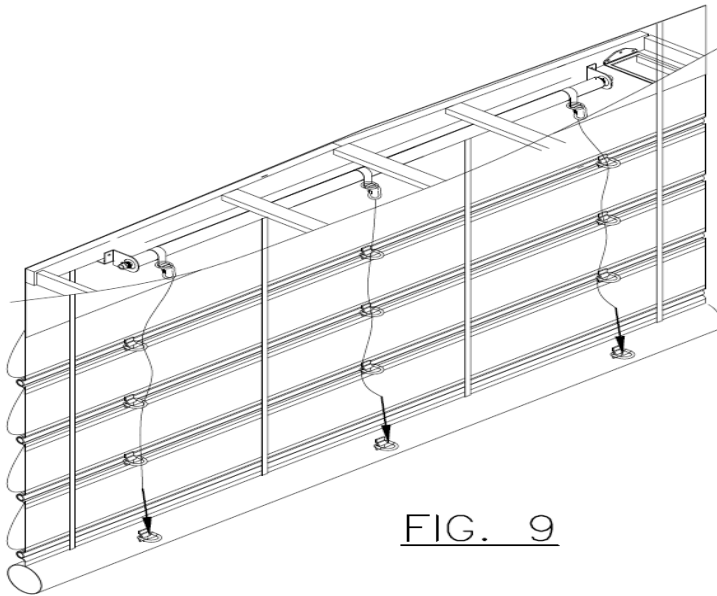


FIG. 9

b. Attach side curtains (Fig. 10).

Use TEK screws and attach side curtains flush to wall and wrap around to the face.

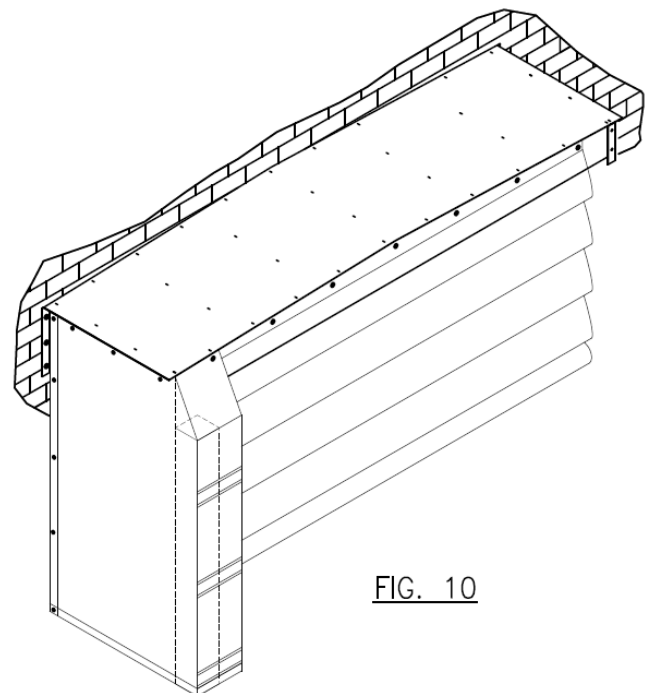


FIG. 10

c. Re-attach angle to front edge of head frame.

- i. Match holes in angle with head curtain.
- ii. Insert #14 Screws and 3/8" washer into holes (Fig. 11).
- iii. Secure

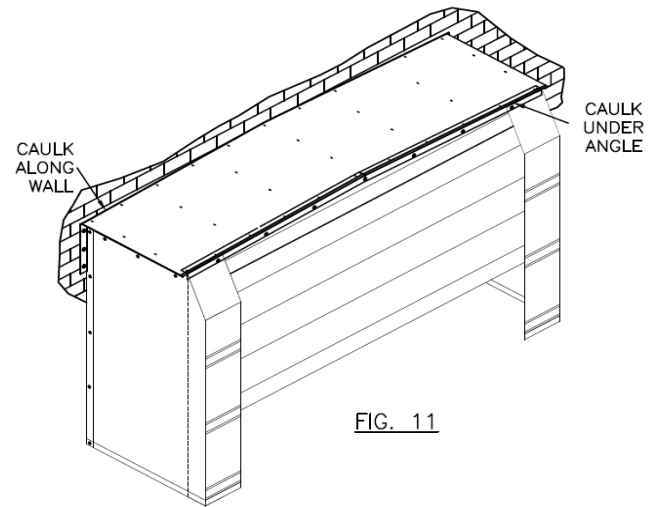


FIG. 11

8. FINISHING INSTALLATION OF HEADER

a. Install canopy support straps.

- i. Screw support straps to front of canopy (Fig. 12).
- ii. Anchor straps to wall.

NOTE: If Side Support Arms Are Provided Instead of Canopy Support Straps See (Fig. 13)

b. Caulk between head frame and wall.

An outdoor acrylic type caulking is recommended.

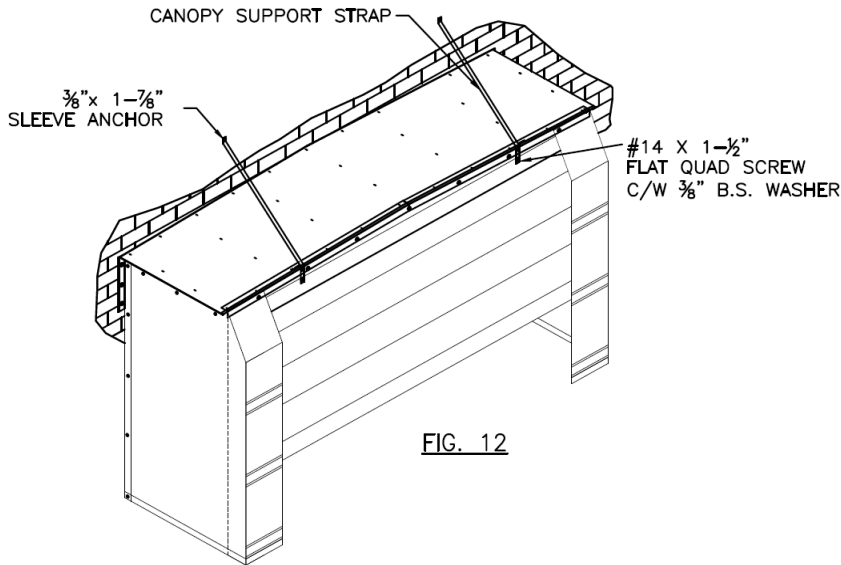


FIG. 12

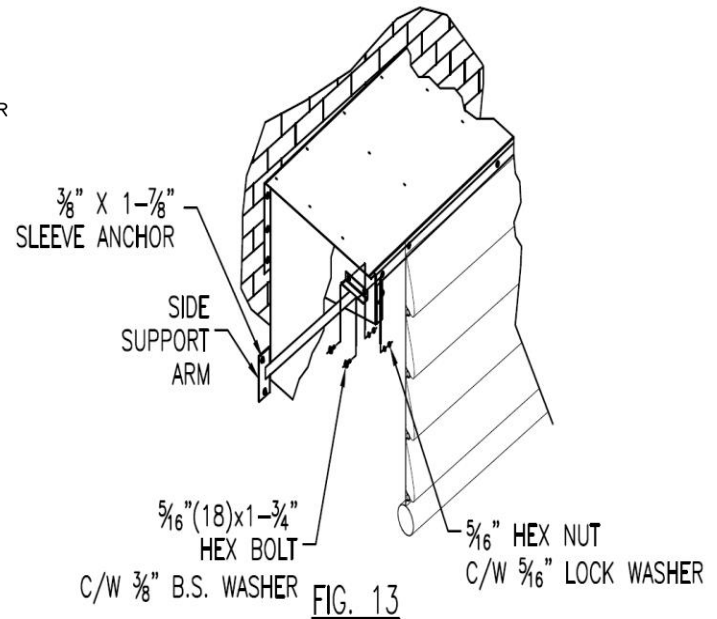


FIG. 13

NOTE: IF MOUNTING ON SIDING OR ON PRE-CAST CONCRETE, FILL IN GAPS WITH POLYURETHANE FOAM. (NOT SUPPLIED)

CAULK ALONG: (NOT SUPPLIED)

- i. Cut side of head frame along wall.
- ii. Head frame angle.
- iii. Fill in any remaining gaps around unit as needed.

9. Lastly, attach the Bungee Cables to the Side Curtain Through the Grommets at the Removable Inward Panel by hooking the "S" Hook SEE (Fig.14)

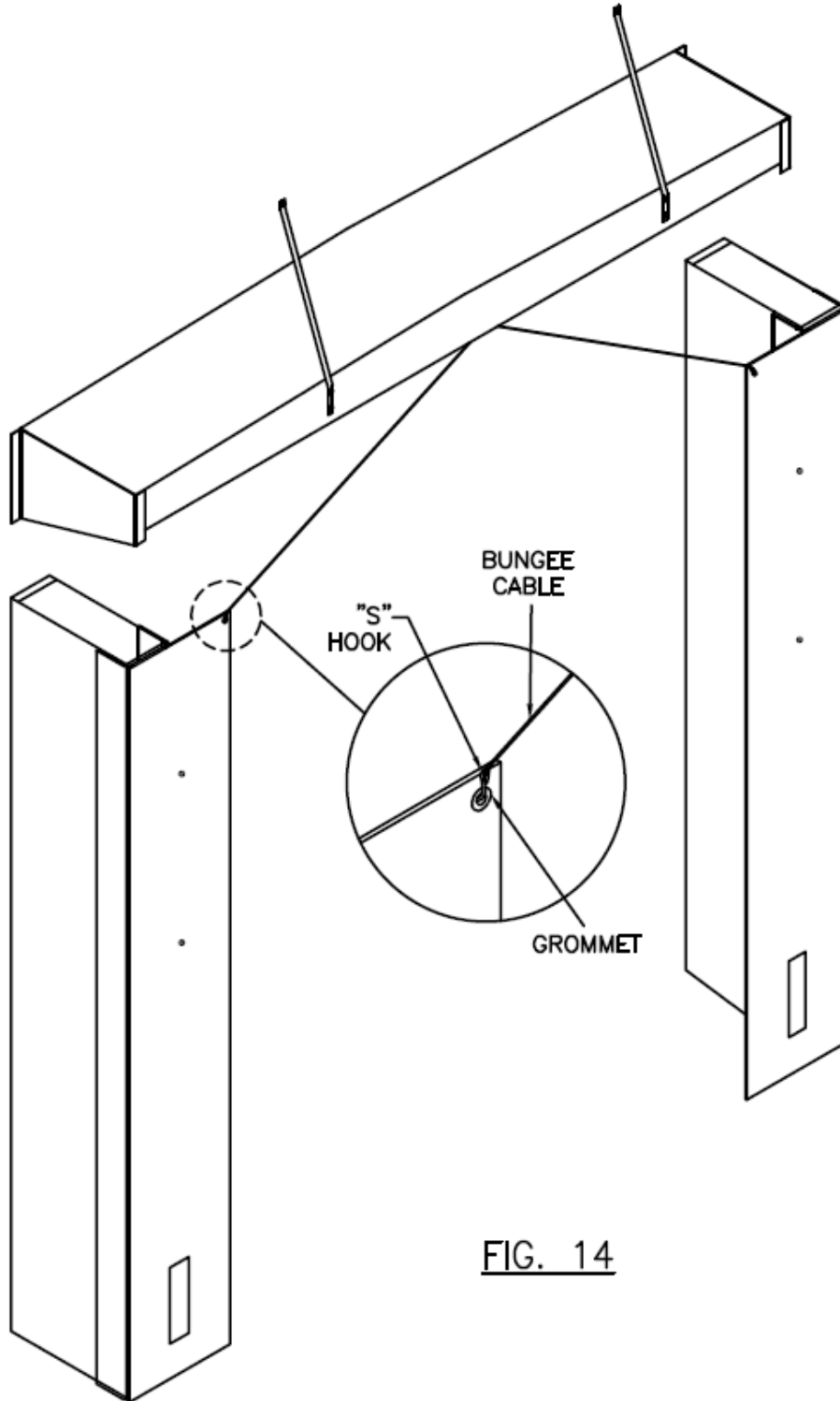


FIG. 14

10. Attach BUNGEE CORD on inside of Vertical (x2). Hook Bungee to "D" RING on side curtain and pass through hole in inward panel, stretch to WOOD BACKER on FOAM PAD and Secure. SEE (Fig.15).

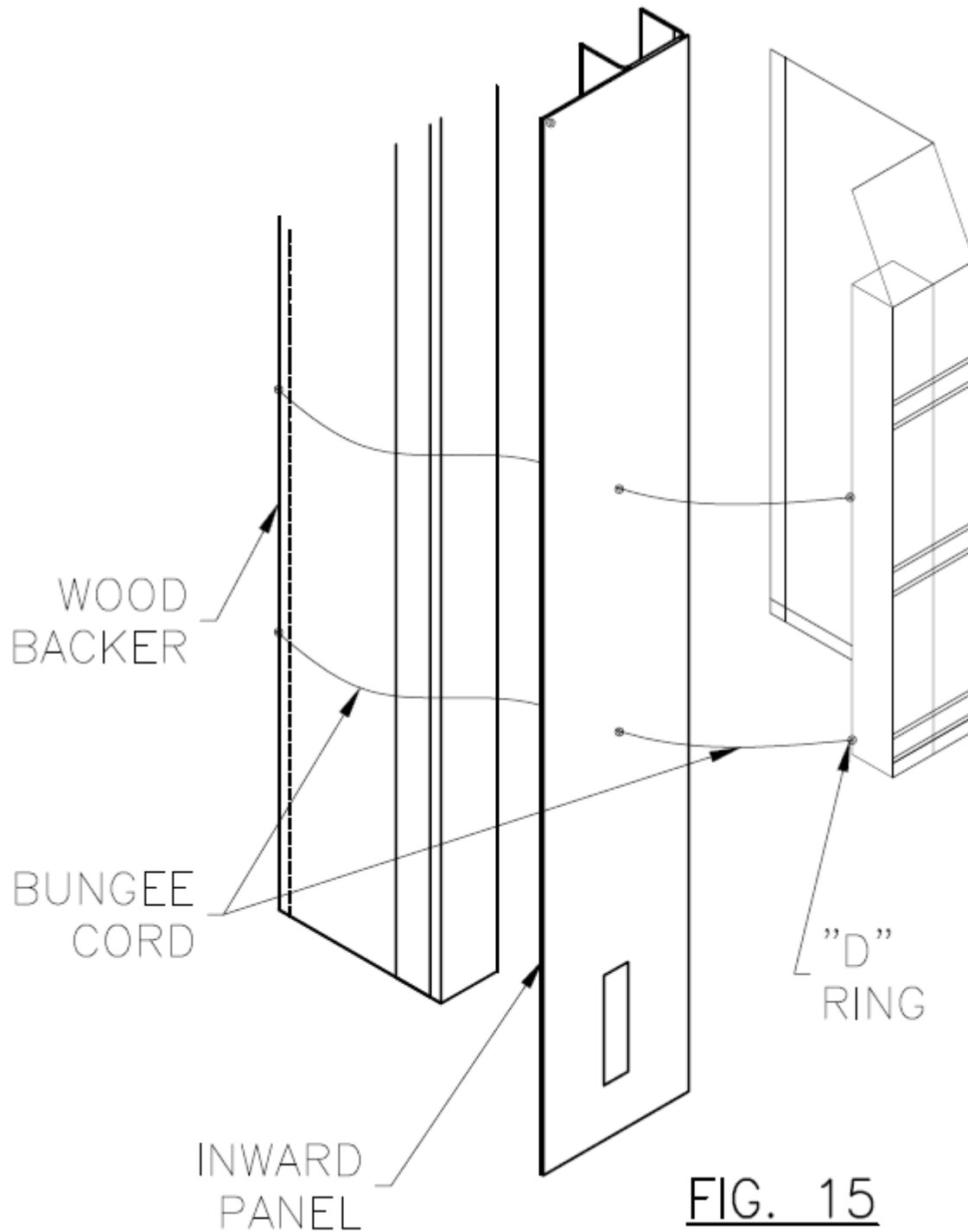


FIG. 15

10. Attach phantom draft pad to bottom inside of vertical pads. **FIRST**, attach the back face of the phantom draft pad to the inside face of the vertical pad. **SECOND**, attach the diagonal Velcro on the phantom draft pad to the inside face of the removable inward panel. **FINALLY**, pull strap on phantom draft pad through loop on inside face of vertical pad and Velcro back onto phantom draft pad top face. Add **CHAIN GUIDE BRACKET** and **CHAIN LOCK BRACKET**

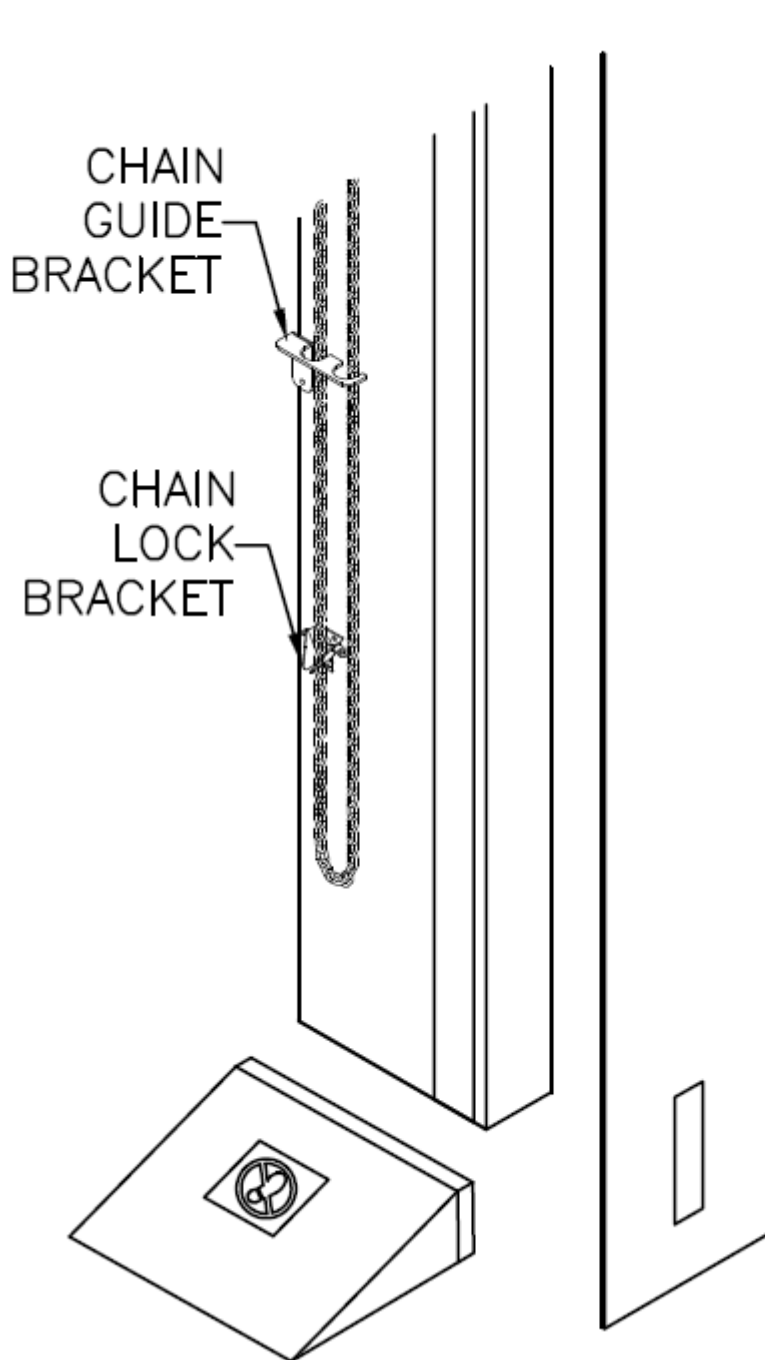


FIG. 16